

# AG Series

## Single Phase EMI Filters

These series range of General Purpose filters are designed to suppress undesirable electrical disturbances in Power Lines. They limit the amplitude of interfering voltages on AC power lines and prevent them from propagating into or out of the filtered equipment.



### FEATURES

- Rated Current up to 100A
- Medical Version available
- High Conducted attenuation performance
- Chassis mounting

### APPLICATIONS

- Power Systems
- Electronic Equipment
- Frequency convertors
- Stepper motor drives
- UPS/Inverters

### SERIES SPECIFICATIONS

Part No.	Rated current @40°C	Leakage current (mA) @250VAC/50Hz	Termination		Weight (kg)
			Tab	Screw	
AG-001	1A	0.34	6.3 x 0.8		0.06
AG-002	2A*	0.34	6.3 x 0.8		0.06
AG-003	3A	0.34	6.3 x 0.8		0.06
AG-006	6A	0.34	6.3 x 0.8		0.06
AG-010	10A	0.34	6.3 x 0.8		0.06
AG-015	15A	0.34	6.3 x 0.8		0.125
AG-016	16A*	0.34	6.3 x 0.8		0.125
AG-020	20A	0.34	6.3 x 0.8		0.260
AG-025	25A*	0.73		M5	0.6
AG-030	30A	0.73		M5	0.6
AG-035	35A*	0.73		M5	0.6
AG-040	40A	0.73		M5	0.6
AG-050	50A	0.73		M6	1
AG-060	60A**	0.73		M6	1
AG-075	75A**	0.73		M8	2
AG-080	80A**	0.73		M8	2
AG-100	100A**	0.73		M10	2

\*Not covered under NEMKO

\*\*Not covered under CSA/NEMKO

### CHARACTERISTICS

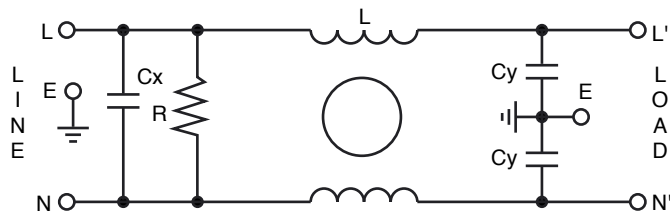
<b>Max. Cont. Oper. Voltage</b>	250VAC
<b>Operating Frequency</b>	50/60Hz
<b>Current ratings</b>	1A to 100A @40°C
<b>High Potential test voltage</b>	L to G 2120Vdc for 1 Minute; L to L 1414Vdc for 1 Minute
<b>Design</b>	Corresponding to UL 60939-3, CSA 22.2 No.8-13 and IEC 60939
<b>Overload Capability</b>	135% of Rated current for 15 minutes
<b>Flammability</b>	corresponding to UL 94 V-0
<b>Temperature range</b>	-25°C to +85°C
<b>Climatic Category</b>	25/85/21
<b>Recommended Torque (Nm)</b>	M5: 1.0-2.0; M6: 1.25 – 2.5; M8: 2.5-5; M10: 3.5-7

(continued)

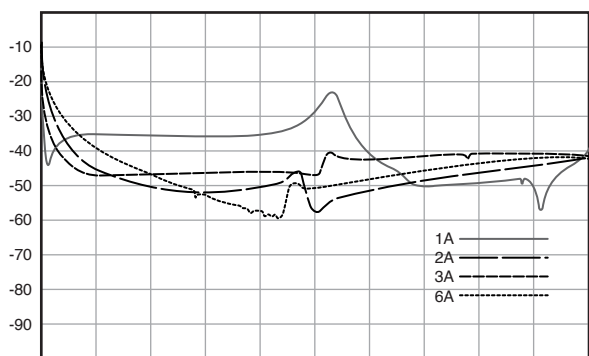
# AG Series

## Single Phase EMI Filters

### CIRCUIT DIAGRAM

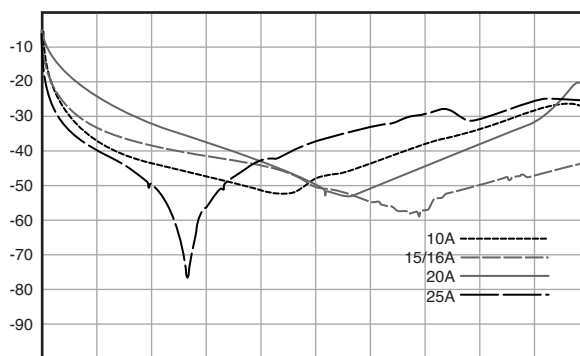


### INSERTION LOSS



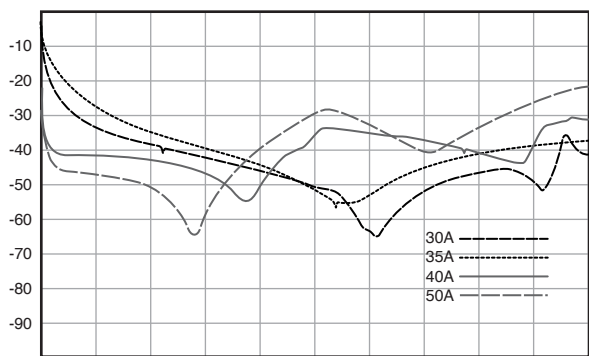
Start 30.00kHz

Stop 30.00MHz



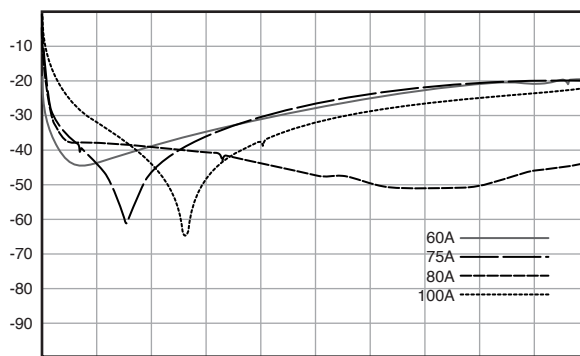
Start 30.00kHz

Stop 30.00MHz



Start 30.00kHz

Stop 30.00MHz



Start 30.00kHz

Stop 30.00MHz

(continued)

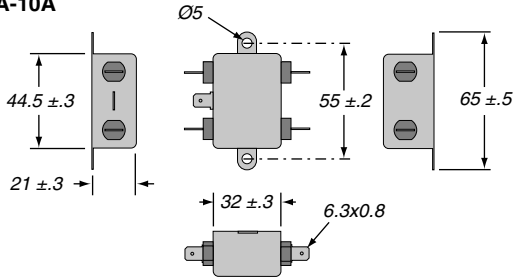
# AG Series

## Single Phase EMI Filters

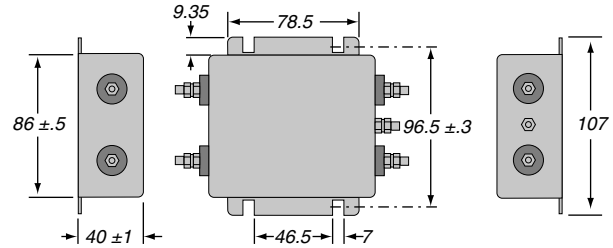
### DIMENSIONS

All dimensions in mm; Tolerances according to ISO2768-m

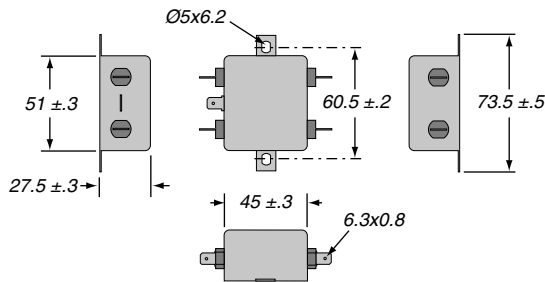
1A-10A



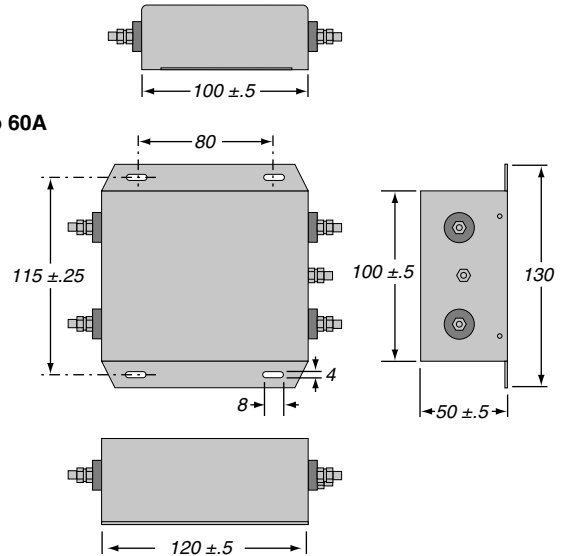
25A to 40A



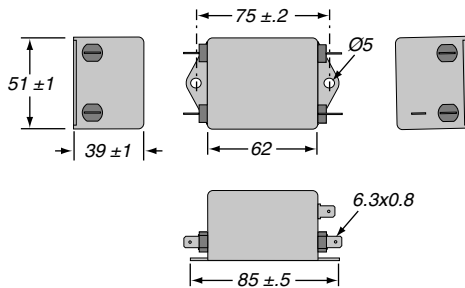
15A & 16A



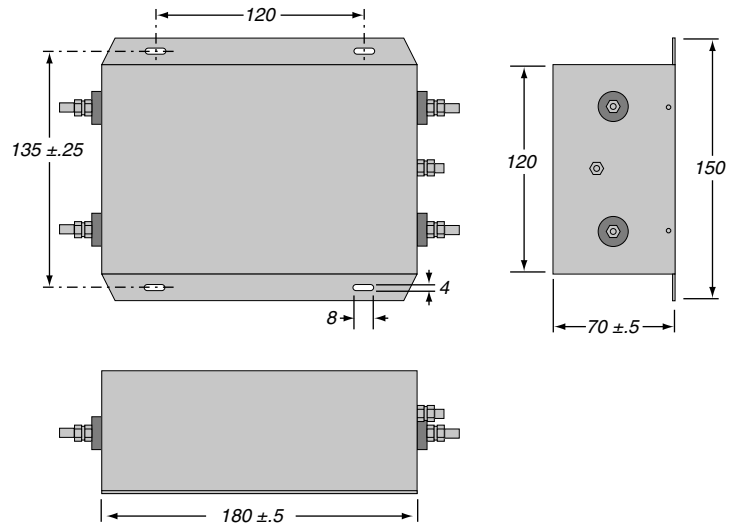
50A to 60A



20A



75A to 100A



### ORDERING INFORMATION

**AG - 002**  
Series      Current rating

#### Standard part numbers

AG-001	AG-025
AG-002	AG-030
AG-003	AG-035
AG-006	AG-040
AG-010	AG-050
AG-015	AG-060
AG-016	AG-075
AG-020	AG-080
	AG-100