

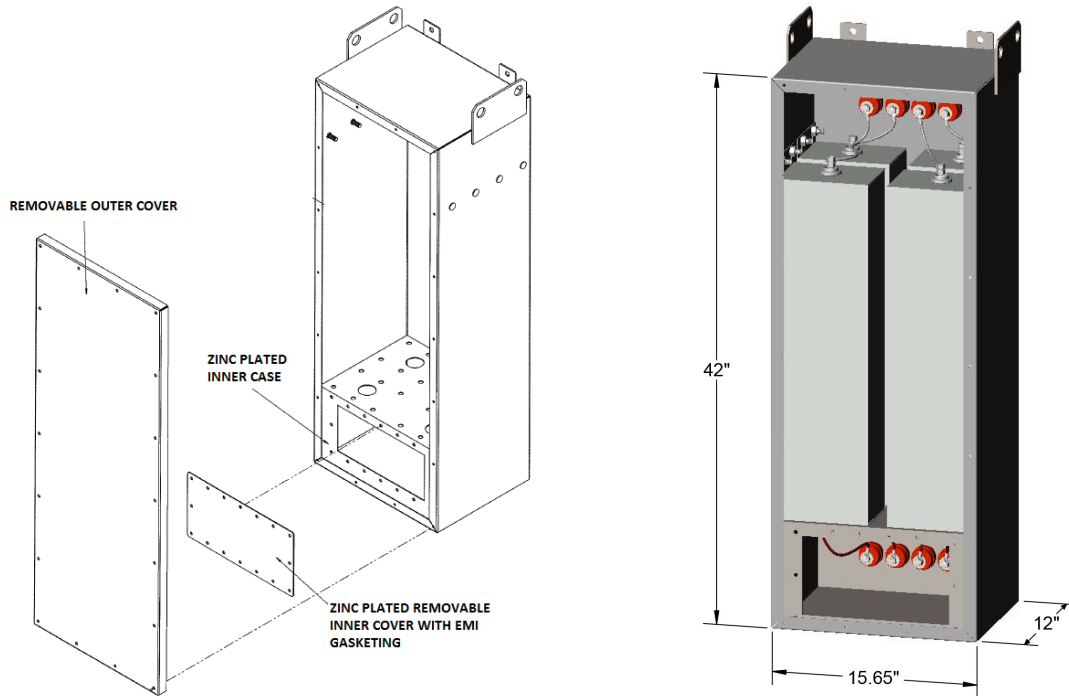


GENISCO FILTER™
always on.™

Facility Power Line Filter Panels

GFP88201 “Quad Pack”

High Performance Series Capacitive Input Filters
 60 AND 100 AMP. 100 dB from 14 KHz ~ 18 GHz



PANEL OPTIONS			
GFP88201	-4x	100	-00
PANEL MODEL	NUMBER OF FILTERS*	Current Rating (AMPS)	Add-Ons (Opt)***
	-3x -4x		00-Standard 01-Legs 02-Lights 03-MOVs 04-Legs+ Lights 05-Legs+MOV 06-Lights+MOV 07-Legs+Light+MOV
* One filter per conductive path			
*** Crate for shipping included in all options			

Product Summary

EMI/RFI Facility Power Line Filters are used to block unwanted signals and remove interference from entering or exiting through the power lines. Our High-Performance Filters are specified to 100 dB from 14 kHz ~ 18GHz.

SUBJECT TO CHANGE WITHOUT NOTICE
 11/17/2016

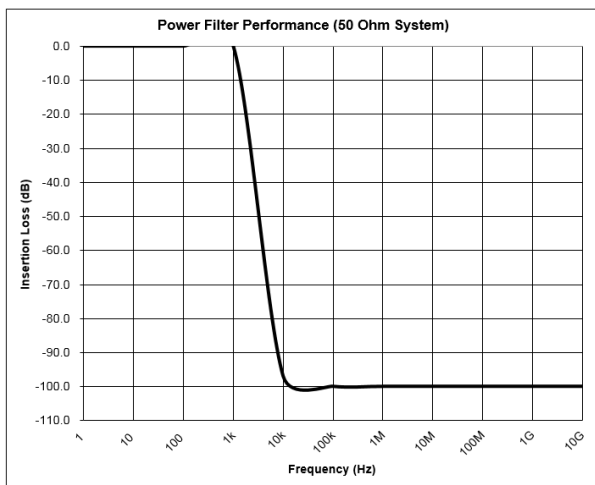


GENISCO FILTER™
always on.™



FUNCTIONAL CHARACTERISTICS

- Voltage Ratings:
 - 24-1,000 VDC
 - 120/208 VAC (50/60 Hz)
 - 277/480 VAC (50/60 Hz)
- Voltage Drop:
 - 2% maximum at full rated unity power factor load.
- Harmonic Distortion:
 - 4% maximum at full rated unity power factor load
- Temperature Rating:
 - MIL-PRF-15733
- Current Overload:
 - 140% maximum current rating
- RF Radiation:
 - Greater than 100 dB isolation
- Dielectric With-Standing Voltage:
 - 2,200 VDC (prior to installation of discharge resistors)
- Insulation Resistance:
 - MIL-PRF-15733 (prior to installation of discharge resistors)
- Insertion loss:
 - 100 dB 14 KHz to 18 GHz
 - 50/50 Ohm System



*Representation of Insertion Loss Specifications

SPECIAL FEATURES

Filters

- Low Pass filter circuits ~ passive components which includes inductors, capacitors, resistors and optional transient suppression devices
- Manufactured and tested per applicable portions of MIL-PRF-15733
- Filter cases 16 gage, CRS, plated or painted finish
- Sealed with welded and soldered seams for shielding effectiveness
- Discharge resistors incorporated to eliminate potential shock hazard

Enclosure

- Modified NEMA type fabricated panel of not less than 14 gauge cold rolled steel painted Gray (Std. Paint Color)
- RF tight inner area secured with RF gasket for 100 dB minimum shielding effectiveness, 14 kHz to 18 GHz
- Pre-wired standoffs and cable lugs
- Lifting ears included
- Front cover access to filters and terminal standoffs
- Floor or wall mount options

Applicable Specifications

- Military Specifications
 - MIL-PRF-15733 General
- Military Test Methods
 - MIL-STD-202 Component Parts
 - MIL-STD-220 Insertion Loss
 - MIL-STD-285 Shielding Effectiveness
- NFPA 70/2011 National Electrical Code Standards

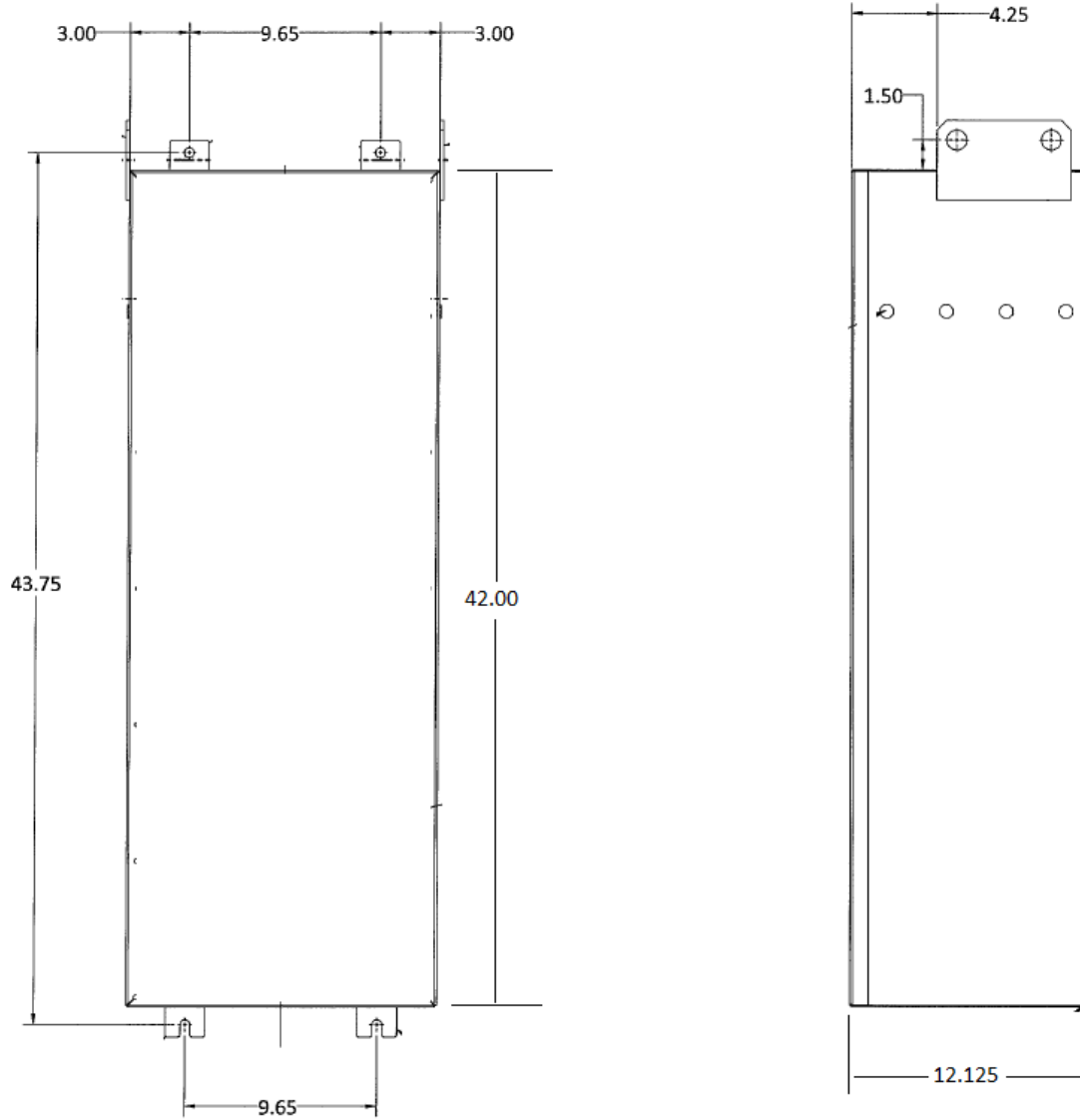
Available Options

- EMP and surge Suppressors
- HUB and Fitting Installation
- Legs (8.0 Inch Standard)
- Custom Paint Colors (Enclosure)
- RF Secure Penetration Accessories
- Voltage Indicator Lights
- 400 Hz Filters (lower insertion loss performance)

SUBJECT TO CHANGE WITHOUT NOTICE
11/17/2016



GF88201 Mechanical Dimensions



Approx. Weights (Lbs.)	
4x60 amp.	245
4x100 amp.	260

*Other Circuit Configurations and Current Ratings may be Available Upon Request • Dimensions are in Inches
SUBJECT TO CHANGE WITHOUT NOTICE
11/17/2016

