

Compensated High Current Choke, 3-phase

new



### Description

- Current compensated choke
- 3-phase choke
- THT-terminals
- Flange for mounting onto printed circuit board

### Unique Selling Proposition

- Compact size and light weight
- Open design for optimal cooling
- Wide temperature range
- Customer specific pin outs available

### Standards

- EN 60938

### Applications

- Frequency converter
- Charge stations
- UPS-systems
- Switching power supplies

### Weblinks

[pdf-datasheet](#), [html-datasheet](#), [General Product Information](#), [Approvals](#), [CE declaration of conformity](#), [RoHS](#), [CHINA-RoHS](#), [REACH](#), [e-Shop](#), [SCHURTER-Stock-Check](#), [Distributor-Stock-Check](#), [Detailed request for product](#)

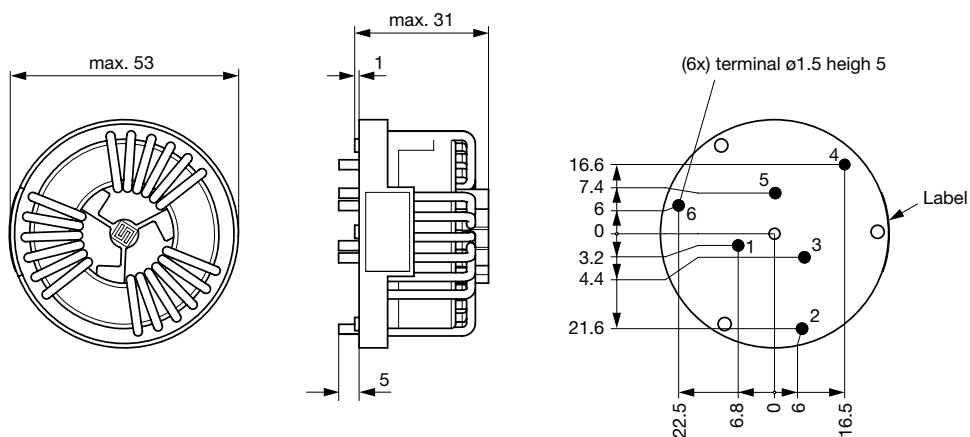
### Technical Data

Rated voltage	max 600VAC
Rated Current	10 - 50A @ Ta 40 °C
Rated inductance	0.08 - 1.1 mH, Tol. -30% +50%
Power Operating Frequency	0 - 400Hz
Terminal Type	THT
Weight	90 - 160g
Material: Housing	UL 94V-0

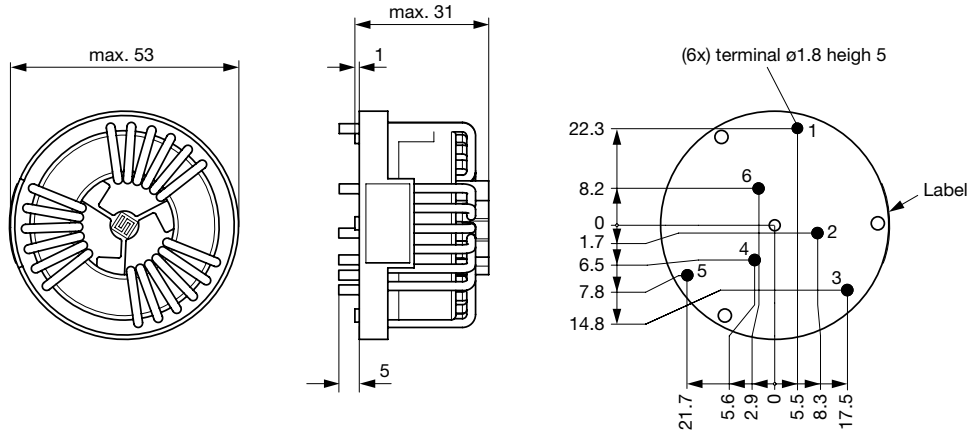
Test Voltage	3740VDC, 2 sec, winding to winding
Climatic Category	40/100/21 acc. to IEC 60068-1
Allowable Operation Temp.	-40°C to 100°C

### Dimension

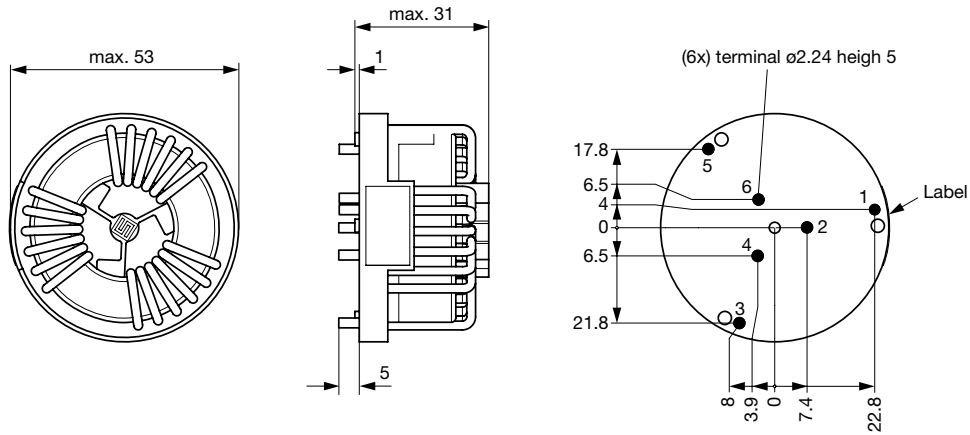
52-12



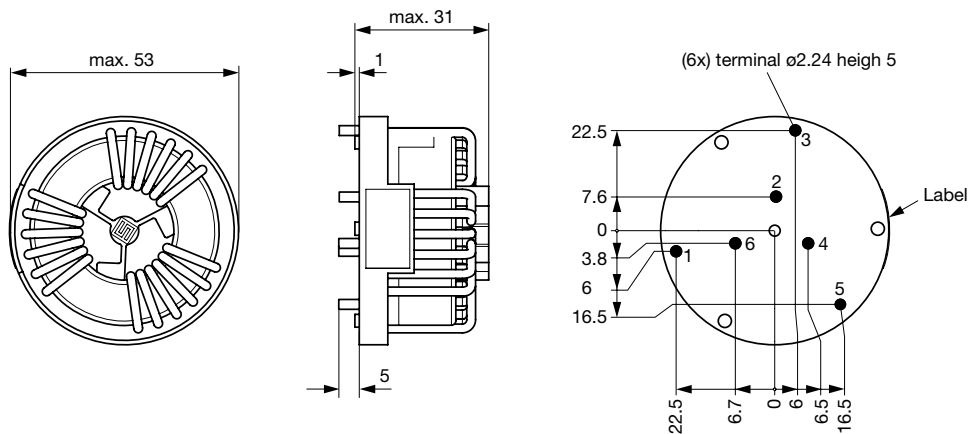
52-16



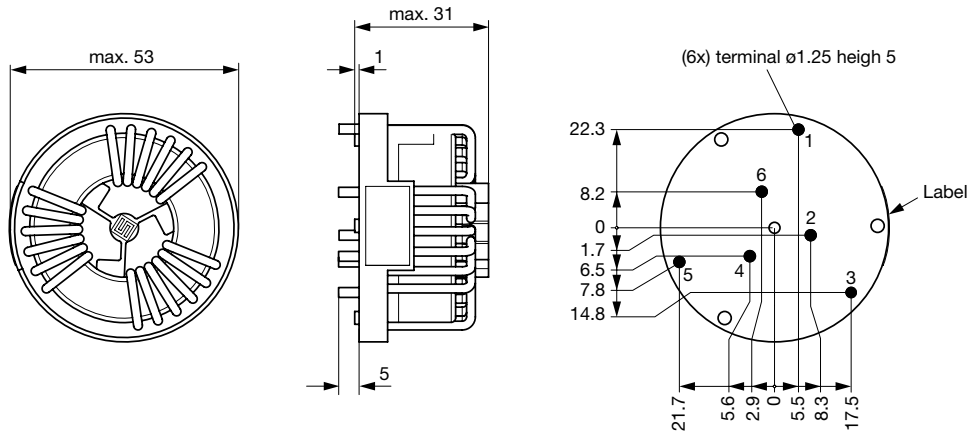
52-20



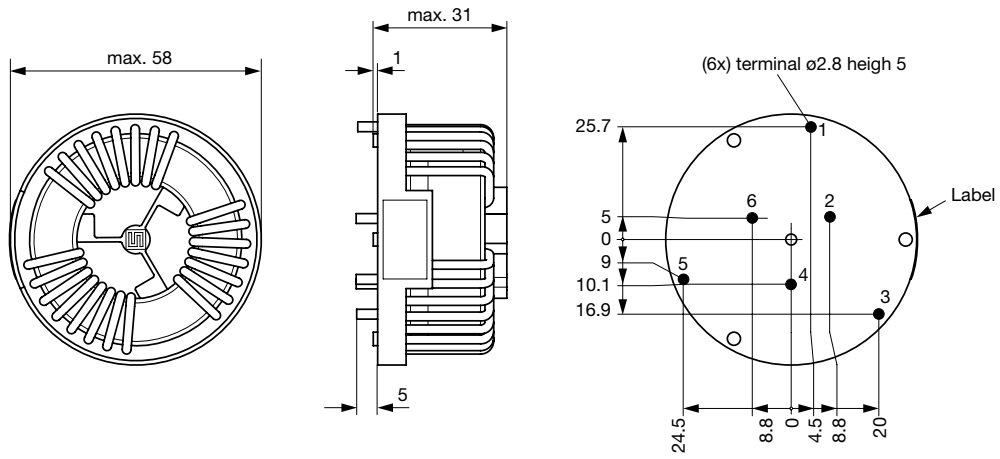
52-25



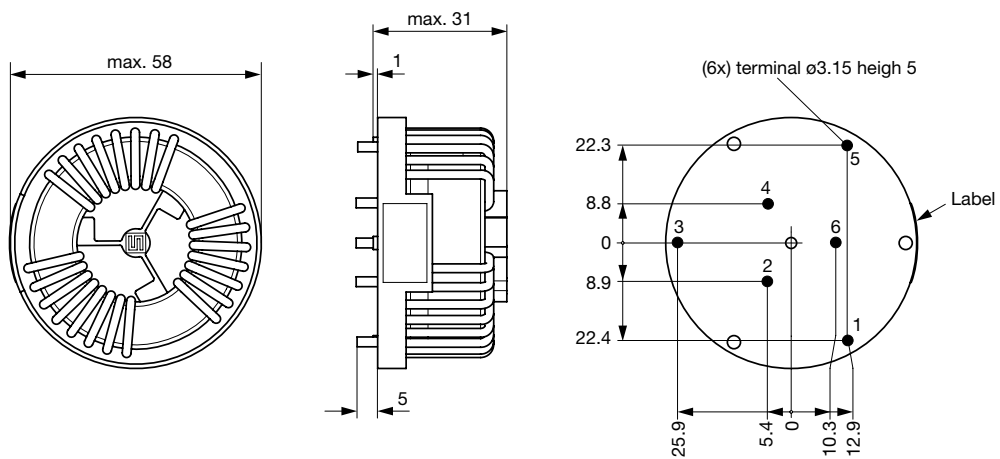
52-10



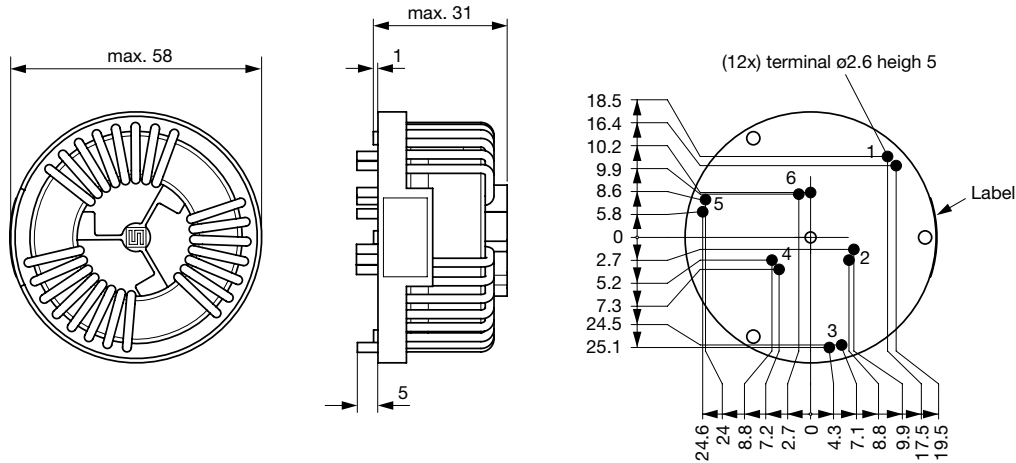
58-32



58-40

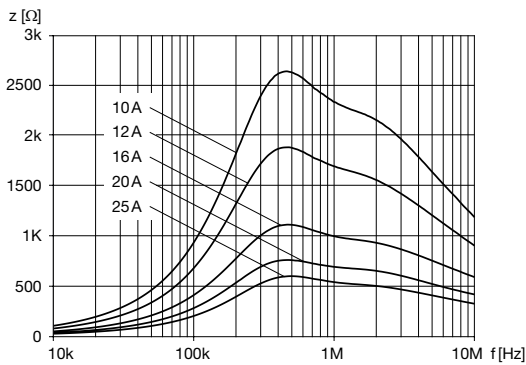


58-50

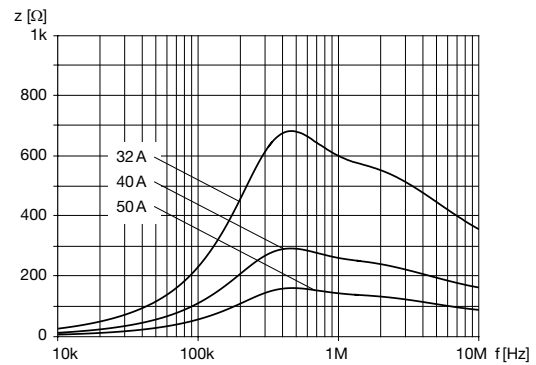


Impedance curves

DKIH-3-3352-xxxx



DKIH-3-3358-xxxx



All Variants

$I_n$ [A]	$L_n$ [mH]	$R_{cu}$ [mΩ]	Tripped Power Dissipation [W]	$f_{RES}$ [MHz]	Copper ø [mm]	Weight [g]	Housing	Packing unit [pcs.]	Order Number
10	1.1	7.5	2.3	0.5	1.25	90 g	52-10	20	DKIH-3352-102J
12	0.75	4.5	1.9	0.5	1.5	90 g	52-12	20	DKIH-3352-12D8
16	0.46	3	2.3	0.5	1.8	90 g	52-16	20	DKIH-3352-16D5
20	0.35	1.5	1.8	0.5	2.24	105 g	52-20	20	DKIH-3352-20D4
25	0.24	1.2	2.3	0.5	2.24	100 g	52-25	20	DKIH-3352-25D3
32	0.33	1.1	3.4	0.4	2.8	155 g	58-32	20	DKIH-3358-32D3
40	0.15	0.6	2.9	0.4	3.15	145 g	58-40	20	DKIH-3358-40D2
50	0.08	0.4	3	0.4	2 x 2.5	160 g	58-50	20	DKIH-3358-50C8

Availability for all products can be searched real-time: <http://www.schurter.com/en/Stock-Check/Stock-Check-SCHURTER>