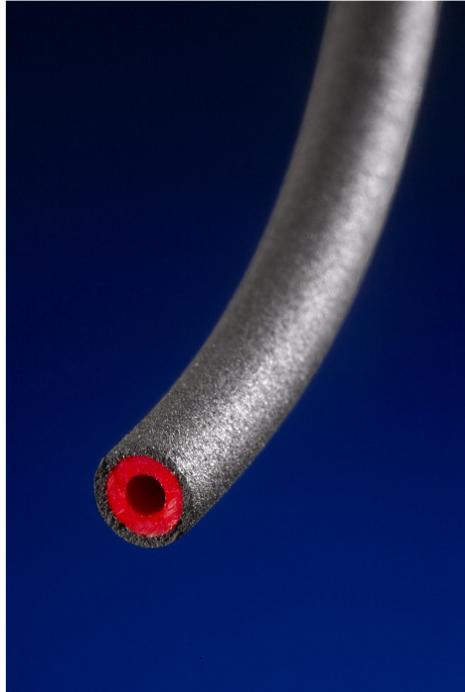


## DATA SHEET OF COMPASHIELD SOFT GASKET

### Introduction



Compashield Soft is an EMI shielding gasket developed by Nolato. It's a modified version of standard one material hollow-O gasket. It is co-extruded with conductive material as the outer layer and non-conductive material as the inner layer.

### Features and benefits

- Lower compression force than one material gasket
- Lower compression set than one material gasket
- Optimized conductive/non-conductive material combination
- Available in any sizes and profiles
- Broad range of metal filler as Ni/C and Ag/Al meets all needs
- Available in cut-into length, spliced, or on the roll
- Secured sealing thanks to splicing

### Applications

Typical applications of Compashield Soft gaskets include mainly telecom communications equipment, and it's applicable also for military appliance.

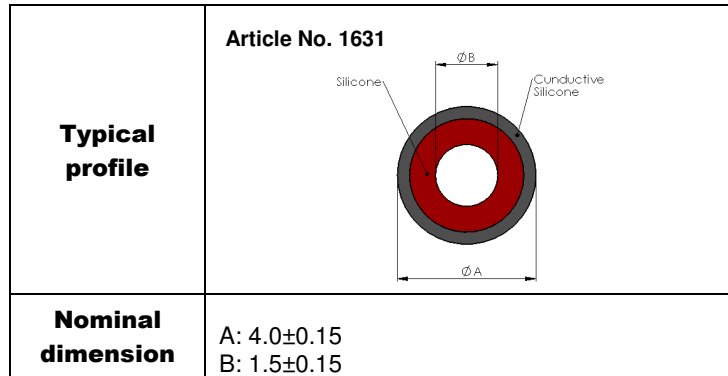
### Typical material properties

Property	Test	Unit	1540	8648	8655
Base material			Silicone	Silicone	Silicone
Conductive filler			-	Ni/C	Ag/Al
Volume resistivity, as moulded	MIL-DTL-83528C	mOhmcm	-	6	10
Volume resistivity, aged 188C/48h	MIL-DTL-83528C	mOhmcm	-	8	
Shielding effect Average 0.3-20 GHz Average 20-50 GHz	Nolato cavity-to-cavity	dB	-	130	130
Density	ISO 2781	g/cm3	1,1	2,4	2,0
Hardness	ISO 7619	Shore A	40	80	85
Tensile strength	ISO 37	Mpa	8,5	4,3	4,6
Elongation at break	ISO 37	%	650	140	120
Tear strength	ISO 34-1C	N/mm	30	16	16
Compression set, 72 h,100°C	ISO 815	%	8	40	23
Flammability	UL 94		V1	V0	V1

Compression modulus, 10% strain	ISO 7743	MPa	4,0	10,9	12,8
20% strain			4,5	13,1	17,1

**Availability**

The Compashield Soft gasket can be made in dimension to fit any demand. The shell material should for optimum shielding effect have a wall thickness of 0,3 mm. One example of Compashield Soft gasket with a Ni/C shell material is pictured as below. Other dimensions are available based on the request of the customers.

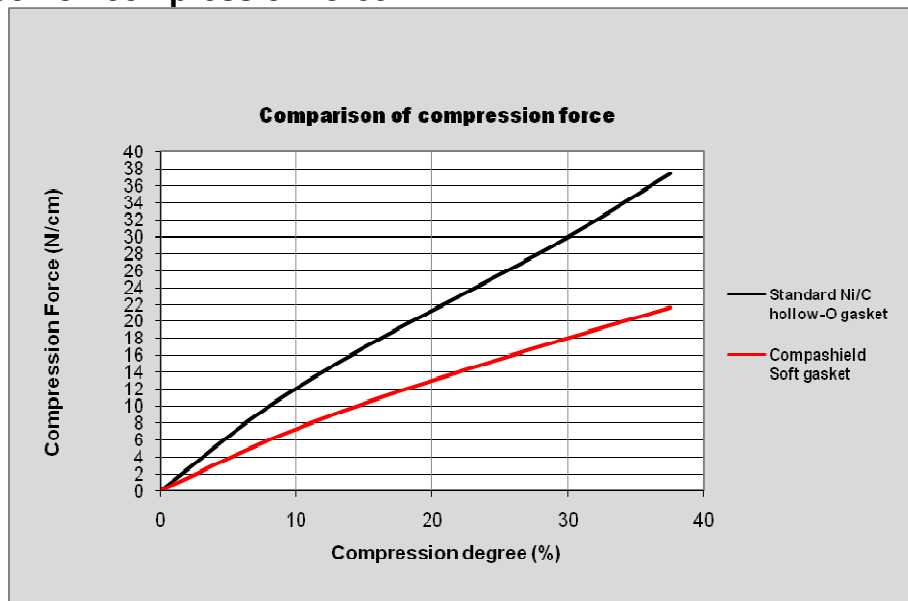


**Compression set**

Property	Test condition	Compashield Soft gasket	Standard Ni/C hollow-O gasket
Compression set, *ISO 815	72 h, 100°C	12%	20%
Compression set *ISO 815	1000h, 85°C	14%	22%

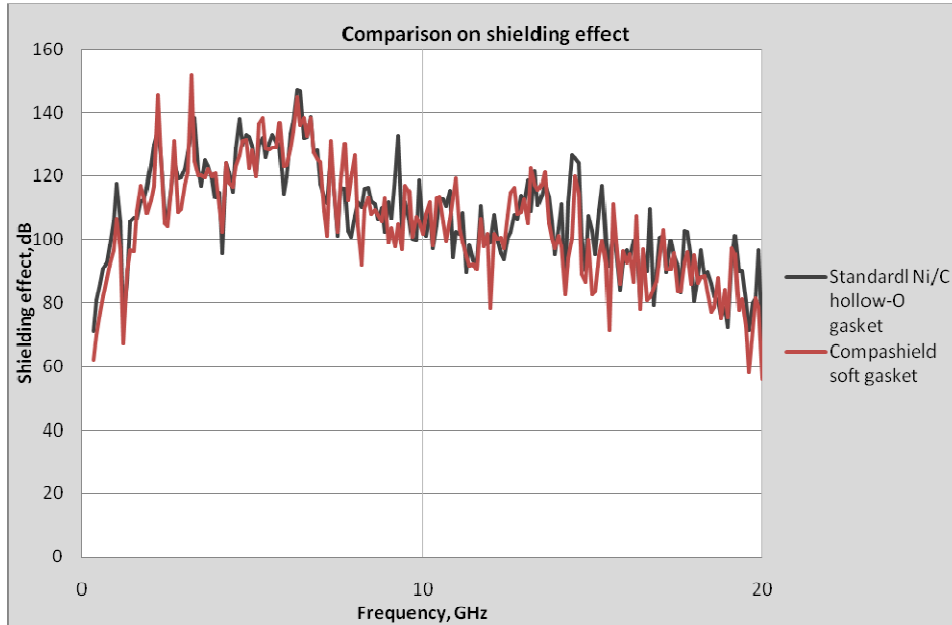
\*Test is made on gaskets in dimension 4,0mm x1,5mm as reference.

**Comparison on compression force**



\*Test is made on gaskets in dimension 4,0mm x1,5mm as reference. Recommended compression degree is from 10% to 50% in the assembled state. Compashield Soft gasket requires much lower compression force compared with the standard Ni/C hollow-O gasket.

### Comparison on shielding effect



\*Test is made on gaskets in dimension 4,0mm x1,5mm as reference. Compashield Soft gasket has the same excellent shielding properties as the standard Ni/C hollow-o gasket.